

Introduction

Hilite II is an illuminated extruded acrylic tube using light emitting diodes (LEDs) as its light source. It is designed for highlighting architectural features of buildings and signage as a more reliable, lower power and longer lasting alternative to neon or cold cathode glass tubes. Available in sections up to 2.4 metres long, hilite II is fixed to the base structure using the included clips. Long runs of hilite II can be made by simply daisy chaining sections together, with all cabling and connections hidden completely out of sight behind the tubes.

Key Features

- Up to 80% cheaper to run than neon
- Bright and consistent illumination
- Fast, easy installation
- Weatherproof
- Long maintenance-free life
- Safe and cool to touch
- Recyclable materials
- Coloured in daylight - on or off

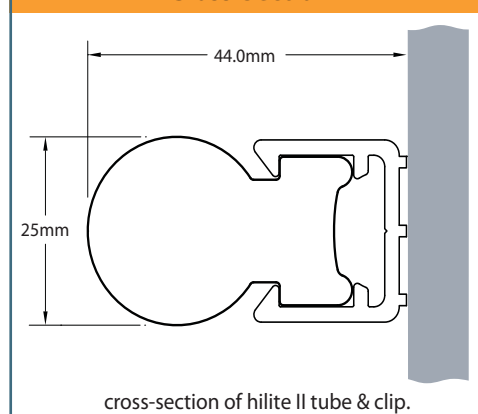
General Specifications

Housing Material	Extruded PMMA composite
Standard Lengths	2400mm nominal
Other Lengths	Build to order
Input Voltage	40V to 48V D.C.
Ingress Protection	Independently tested to IP66
Operating Temperature Range	-30°C to +60°C
Storage Temperature Range	-40°C to +70°C
Connector System	JST JWPF range
Clip material	Polycarbonate (clear)
Weight (2.4m section)	0.67Kg net

Colour Specific Information

Colour	Colour ref.	LEDs / m	Power / m (W)	Brightness (cd/m²)	Lifetime - hrs to 70% brightness
Red	PMS 1797	71	5.2	170	100,000
Orange	PMS 172	71	5.2	280	100,000
Yellow (lemon)	PMS 116	60	4.6	680	70,000
Yellow (mustard)	RAL 1003	71	5.2	270	100,000
Green (light)	NCS 0070-G10Y	60	3.2	190	80,000
Green (dark)	RAL 6018	60	3.2	140	80,000
Blue	PMS 280	60	4.2	65	50,000
Purple	PMS 258C	60	4.6	130	70,000
White	N/A	60	4.6	800	70,000

Cross-Section



Ordering Information

When ordering hilite II sections please refer to the part numbering scheme shown on the right. Custom colours can be developed subject to a minimum order - please contact Visive with your requirements. On-site adjustable sections are available in 470mm nominal length only and can be cut in approximately 30mm increments. Radiused 90° corner sections are available in 191mm and 267mm radiuses. Bespoke corner sections within certain parameters may be available subject to a minimum order - please contact Visive to discuss your requirements.

