












## HI-LITE™ 30 | HARLEQUIN

Hi-Lite™30 Harlequin is a white extruded acrylic tube with RGB Light Emitting Diodes (LEDs) which enables a vast palette of colours to be created in an eye-catching intensity.

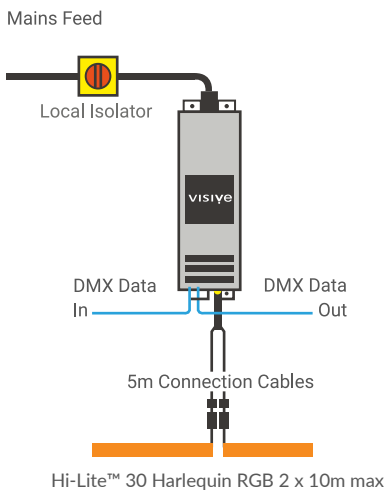
The product is ideal for highlighting architectural features of a building or structure to match events, seasons or themes. With the addition of a DMX controller there are a myriad of illuminated colour schemes which can be simply programmed.

Hi-Lite™30 Harlequin features these outstanding benefits;

-  Uses 80% less energy than traditional alternatives
-  Safe to touch with zero shock risk
-  Current sense circuit: Patented safety device
-  Manufactured from recyclable materials and supplied globally
-  A completely weatherproof product
-  A virtually maintenance-free life
-  A unique, easy to install system
-  White when off, coloured when on
-  Can be supplied in kit form for multiple standard structures such as poles, stanchions or PIDs

## The specification

Housing material	Extruded PMMA composite
Standard tube length	2.4m (7' 9") nominal
Input voltage	40V – 46V D.C.
Ingress protection	Independently tested to IP66
Operating temperature range	-30°C to +60°C
Storage temperature range	-40°C to +70°C
Connector system	JST JWPF range
Clip material	Polycarbonate (clear)
Tube weight (2.4m section)	0.67kg nett



## Power supply

Power supply colour controllers (RGB PSU) are a single unit, and are available in different wattage output power depending on requirements.

Each controller can be DMX linked to the next unit with network cabling, this allows for a continuous lighting effect, or where required the controllers can be separately controlled from a more complex DMX controller to provide different colours from each RGB PSU.

DMX in and out allows for single daisy chain control or multiple scene control. Up to 20m of Hi-Lite™ 30 Harlequin tube can be run from the 300W supply in two runs of 10m.

## DMX control

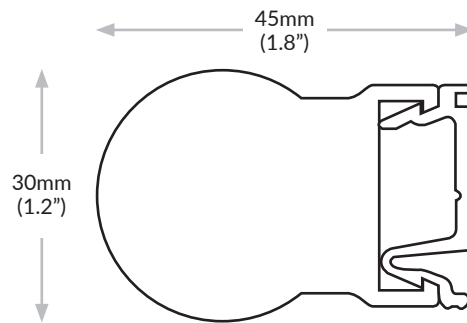
Most standard DMX 512 controllers can be used to control a Hi-Lite™ 30 Harlequin RGB PSU, if required we can supply a simple controller for your installation, we can also custom program it for you. Simply discuss your requirements with us.

## Ordering information

Hi-Lite™ 30 Harlequin is available in the 12 selected lengths as detailed below. Harlequin will form to gentle curves with use of additional fixing clips.

Should you wish to discuss a particular project or have questions regarding the use and installation of the product, then please contact Visive.

### Cross-section of Hi-Lite™ 30 Harlequin



### Lengths

### Part No.

210mm (8.3")	HL3-AS-RGB-21
409mm (1' 3")	HL3-AS-RGB-40
608mm (2' 0")	HL3-AS-RGB-60
807mm (2' 6")	HL3-AS-RGB-80
1006mm (3' 3")	HL3-AS-RGB-100
1205mm (3' 10")	HL3-AS-RGB-120
1404mm (4' 6")	HL3-AS-RGB-140
1603mm (5' 3")	HL3-AS-RGB-160
1802mm (5' 9")	HL3-AS-RGB-180
2000mm (6' 6")	HL3-AS-RGB-200
2200mm (7' 2")	HL3-AS-RGB-220
2400mm (7' 9")	HL3-AS-RGB-240