

visive[®]

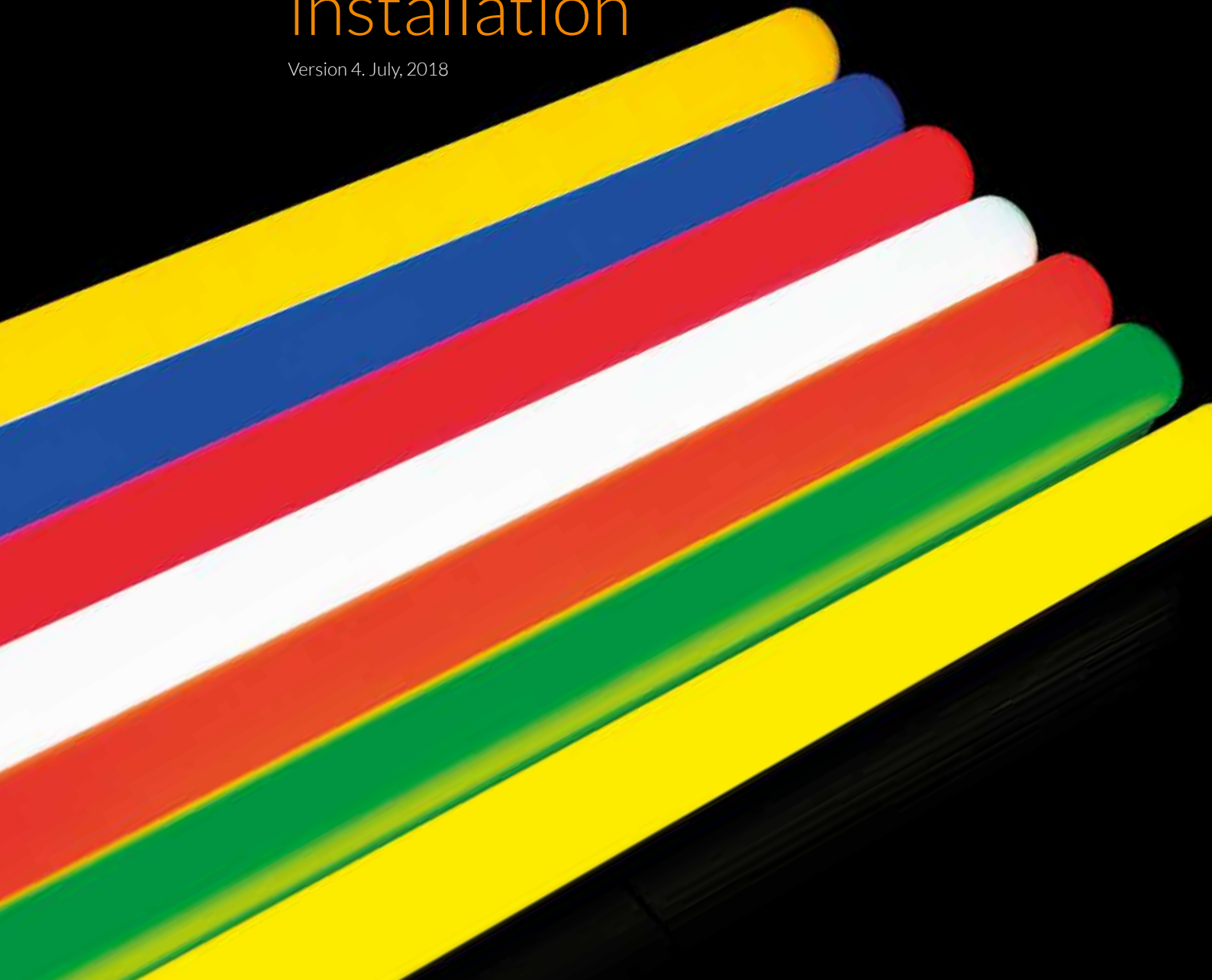
ADDED VALUE - ADVANCED TECHNOLOGY



HI-LITE[™] 30

Specification &
installation

Version 4. July, 2018





Global illumination

Hi-Lite™ 30 is used around the world to illuminate the properties of countless blue-chip customers.

It's perfect for use in public access areas such as retail stores, clubs and pubs, restaurants, cinemas, service stations, supermarkets and casinos. In fact, anywhere that a flexible, 100% safe product with a pure and even spread of light is needed.













The product

Available in a wide range of colours, Hi-Lite™ 30 is an illuminated, extruded, 30mm diameter, acrylic tube that uses Light Emitting Diodes (LEDs) as its light source. It's specifically designed for highlighting buildings, signage, displays and POS as a more reliable, robust, low power and long lasting alternative to neon/cold cathode glass tubes.

Made in standard 2.4m long sections, Hi-Lite™ 30 is fixed to the base structure using polycarbonate clips. Long runs of Hi-Lite™ 30 can be made by simply daisy-chaining sections together (all cabling and connections are completely hidden from view behind the tube sections).

Hi-Lite™ 30 features the new (patent applied) Field Adjustable Section which gives installers the flexibility of being able to cut sections on site.

The benefits

- | | |
|--------------------------------------------------------------------------------------------------------------------------------------------------|-----------------------------------------------------------------------------------------------------------------------------------------|
|  Uses 80% less energy than traditional alternatives |  A completely weatherproof product |
|  Safe to touch with zero shock risk |  A virtually maintenance-free life |
|  Current sense circuit: Patented safety device |  A unique, easy to install system |
|  Field Adjustable Section (Patent applied) |  Coloured in daylight, on or off |
|  Manufactured from recyclable materials and supplied globally |  Runs up to 90m on only one Power Supply Unit (PSU) |

The specification

Housing material	Extruded PMMA composite
Standard tube length	2.4m nominal
Input voltage	40V – 46V D.C.
Ingress protection	Independently tested to IP66
Operating temperature range	-30°C to +60°C
Storage temperature range	-40°C to +70°C
Connector system	JST JWPF range
Clip material	Polycarbonate (clear)
Tube weight:	
Standard 2.4m (all colours)	0.78kg net
Field Adjustable Section 2.4m (all colours)	0.77kg net
Field Adjustable Section 1.2m (all colours)	0.402kg net

Power Supply Units (PSU)
Maximum length (in metres) based on wattage (W)

Colour	Colour ref.	Code	Brightness	Nominal W/m	20W	40W	96W	240W
 Bright green	PMS 368C	G3	300cd/m ²	1.8W	11m	22m	45m	90m (2 x 45m)
 Blue	PMS 280C	B1	100cd/m ²	5.0W	4m	8m	19m	48m (2 x 24m)
 White	N/A	W1	2250cd/m ²	5.0W	4m	8m	19m	48m (2 x 24m)
 Lemon Yellow	PMS 116C	Y1	2000cd/m ²	5.0W	4m	8m	19m	48m (2 x 24m)
 Mustard Yellow	PMS 7406C	Y2	1600cd/m ²	5.0W	4m	8m	19m	48m (2 x 24m)
 Orange	PMS 172C	O1	950cd/m ²	5.0W	4m	8m	19m	48m (2 x 24m)
 Red	PMS 485C	R1	700cd/m ²	5.0W	4m	8m	19m	48m (2 x 24m)

Hi-Lite™ 30 order codes

Tube type	Colour code
Standard 2.4m	(HL3-AS-(+ colour code)-240)
Field Adjustable Section 2.4m	(HL3-AA-(+ colour code)-240)
Field Adjustable Section 1.2m	(HL3-AA-(+ colour code)-120)

*Please note (+ colour code) refers to product colour code shown in the table above.

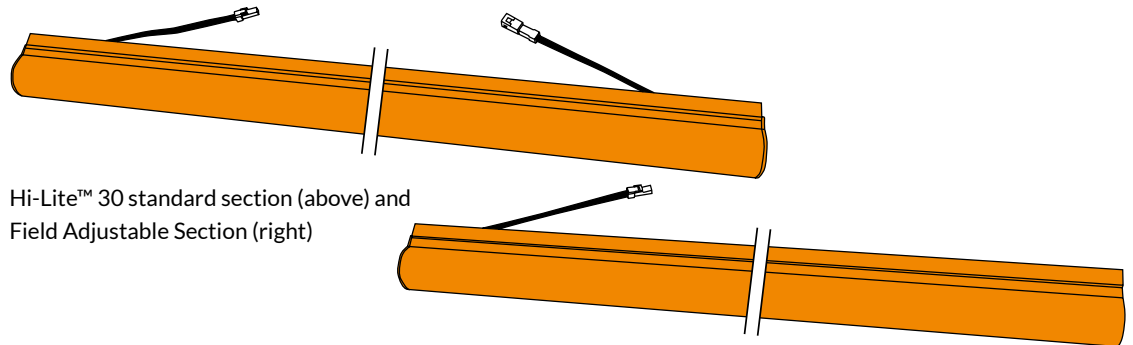
Visive Group Limited

Ash Road South, Wrexham Industrial Estate, Wrexham, LL13 9UG +44 (0) 1978 660181

www.visivegroup.com

The components

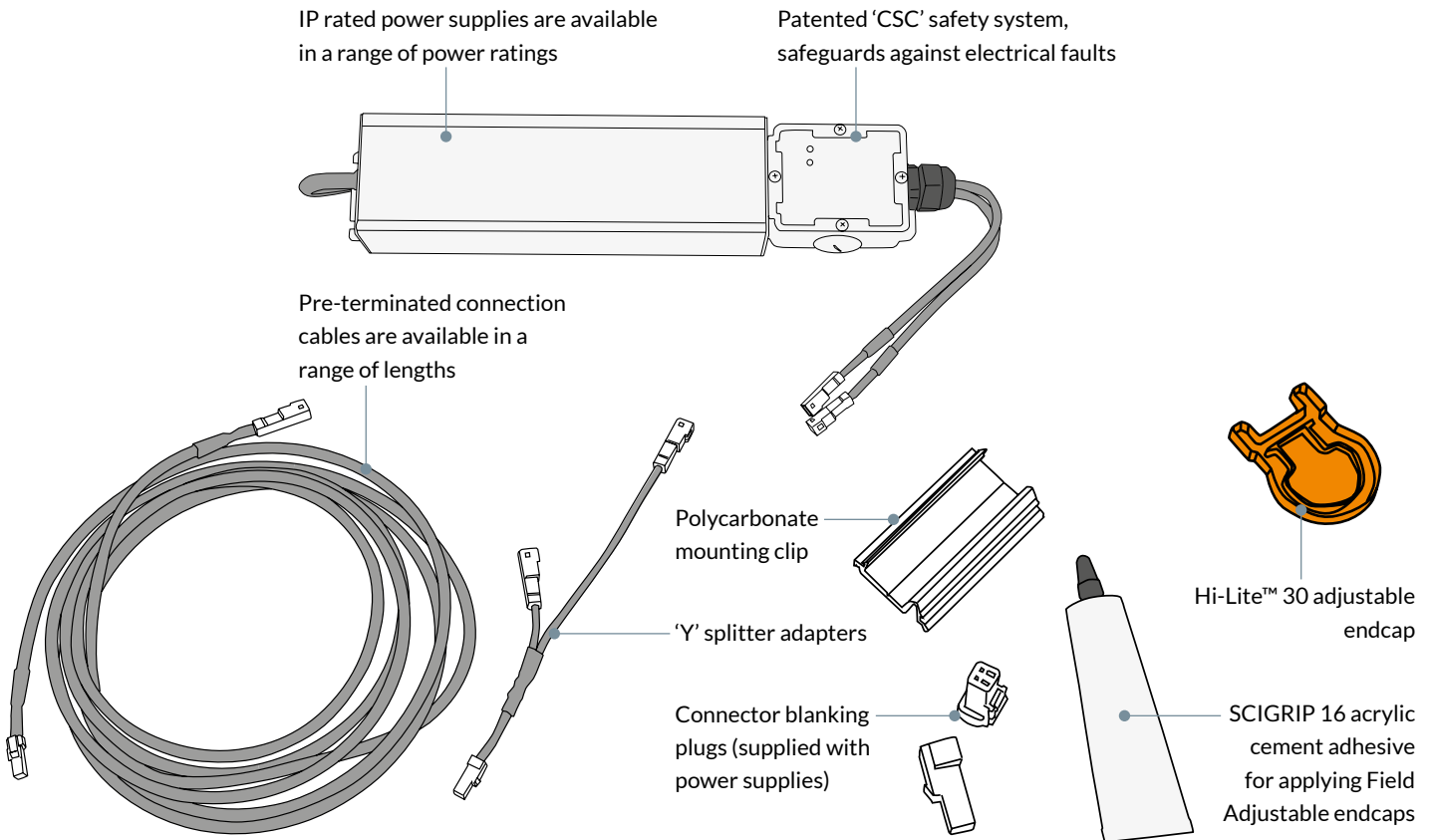
Hi-Lite™ 30 tubes are available in 2.4m standard lengths, and 2.4m and 1.2m Field Adjustable Sections. Most installations are made up from a number of standard sections, followed by a Field Adjustable Section cut to size during installation.



Hi-Lite™ 30 standard section (above) and Field Adjustable Section (right)

Standard sections feature a connector at each end and can be connected together in a simple daisy-chain configuration. Field Adjustable Sections have a connector at one end only, and once cut to length the remaining portion is discarded.

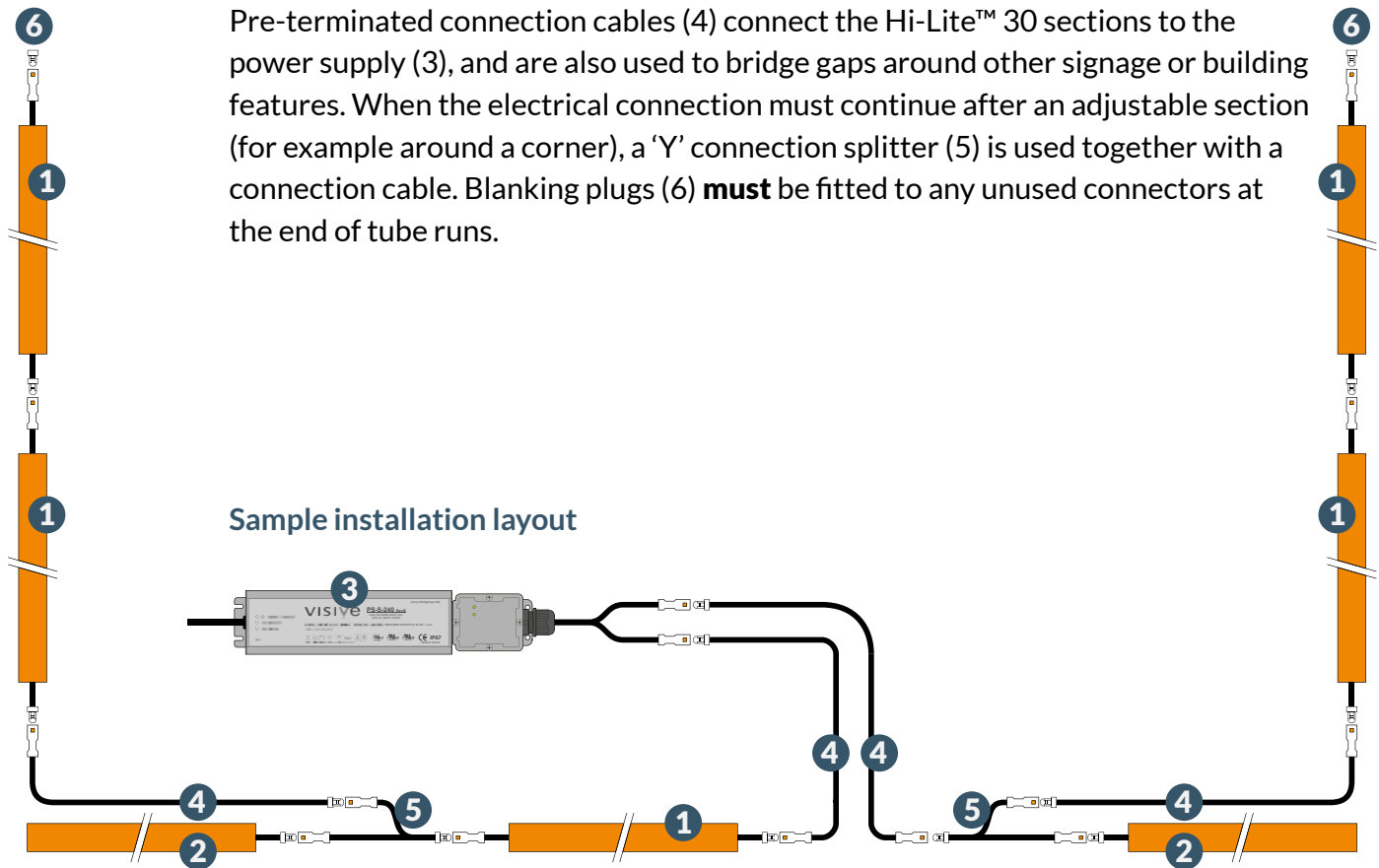
The Hi-Lite™ 30 system also includes a range of IP-rated power supply units, as well as connection cables, 'Y' adapters, clips and connector blanking plugs.



The installation

Hi-Lite™ 30 installations (see sample layout below) are made up from a number of standard sections (1), connected end to end. A Field Adjustable Section (2) is usually fitted at the end of each continuous run and is cut to size at the time of installation to exactly fit the structure.

Pre-terminated connection cables (4) connect the Hi-Lite™ 30 sections to the power supply (3), and are also used to bridge gaps around other signage or building features. When the electrical connection must continue after an adjustable section (for example around a corner), a 'Y' connection splitter (5) is used together with a connection cable. Blanking plugs (6) **must** be fitted to any unused connectors at the end of tube runs.



Installation key

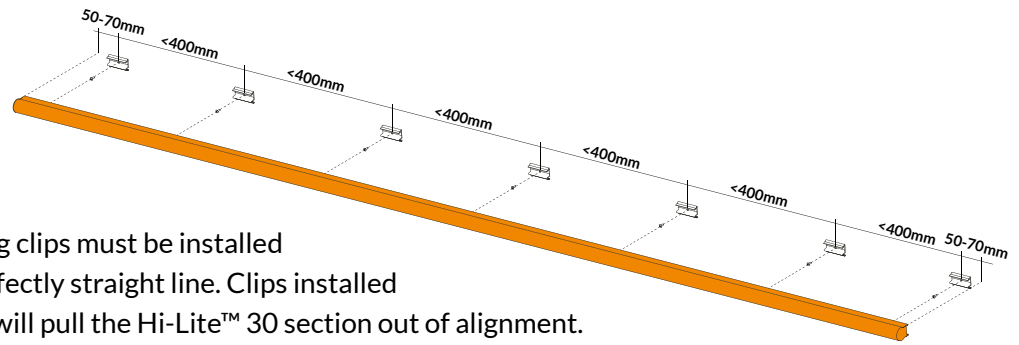
- | | |
|----------------------------------------------------------------------------------------------------------------------------------------------------------------------------------------------------------------------------------------------------------------------------------------------------------------------------------------------------------|--------------------------------------------------------------------------------------------------------------------------------------------------------------------------------------------------------------------------------------------------------------------------------------------------------------------------------------------------------------------------|
| <p>1. Standard Hi-Lite™ 30 sections available in 2.4m lengths.</p> <p>2. Field Adjustable Sections. Available in 2.4m and 1.2m lengths.</p> <p>3. 46V IP67 Power Supply Unit with CSC safety system. Available in 240W, 96W, 40W & 20W versions.
Order code(s):
PS-S-240
PS-S-96
PS-S-40
PS-S-20</p> | <p>4. Pre-terminated connection cables. Available in 1m, 3m, 5m & 10m lengths.
Order code(s):
JC2-S-1
JC2-S-3
JC2-S-5
JC2-S-10</p> <p>5. 'Y' connection splitter.
Order code(s): YC2-S-FMM</p> <p>6. Connector blanking terminator (supplied with power supplies).
Order code(s): HL-BLANK</p> |
|----------------------------------------------------------------------------------------------------------------------------------------------------------------------------------------------------------------------------------------------------------------------------------------------------------------------------------------------------------|--------------------------------------------------------------------------------------------------------------------------------------------------------------------------------------------------------------------------------------------------------------------------------------------------------------------------------------------------------------------------|

Visive Group Limited

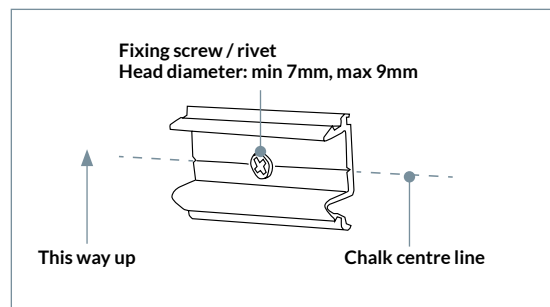
Ash Road South, Wrexham Industrial Estate, Wrexham, LL13 9UG +44 (0) 1978 660181

www.visivegroup.com

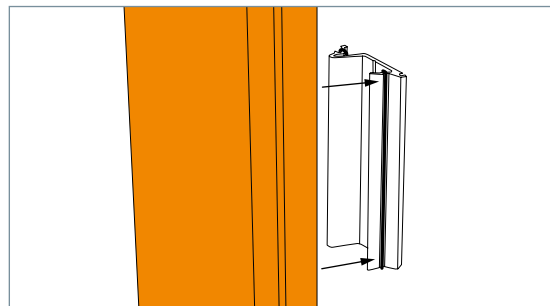
The installation (continued)



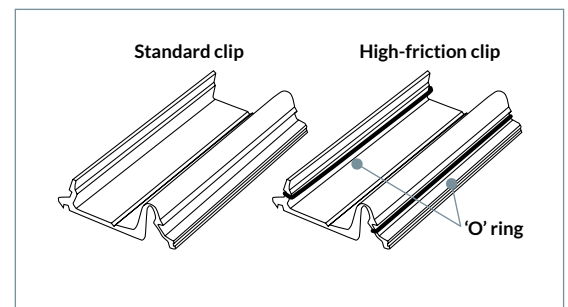
1. Mounting clips must be installed along a perfectly straight line. Clips installed off-centre will pull the Hi-Lite™ 30 section out of alignment. Snap a chalk line on the mounting surface to use as a guide. Position a clip 50-70mm from the end of each Hi-Lite™ 30 section and at least every 400mm along each length.



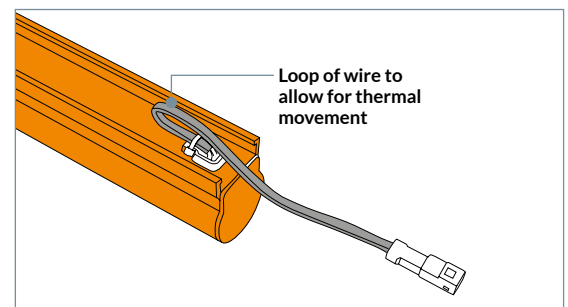
2. On horizontal installs, clips must be installed with the spring part of the clip to the bottom edge. The groove along the rear of the clip indicates the centre line of the Hi-Lite™ 30 tube once installed. Use fixings with head diameter between 7mm and 9mm.



4. On vertical installations, the high-friction clip is particularly important to prevent Hi-Lite™ 30 sections from slipping down over time.

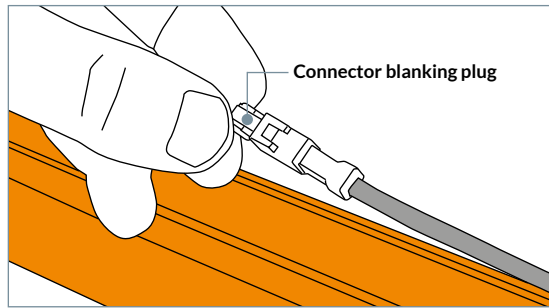


3. Two types of clip are supplied. A high-friction clip should be used in the centre of the section. This clip features a rubber 'O' ring to increase the grip on the tube, thereby locking it in position. Only one high-friction clip must be used per section.

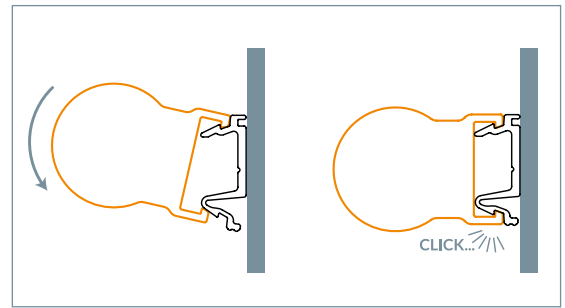


5. If a standard section is to connect to further sections loop the output connection as shown before fitting the tube into position. Leave a loop of cable to allow for movement due to thermal expansion and contraction.

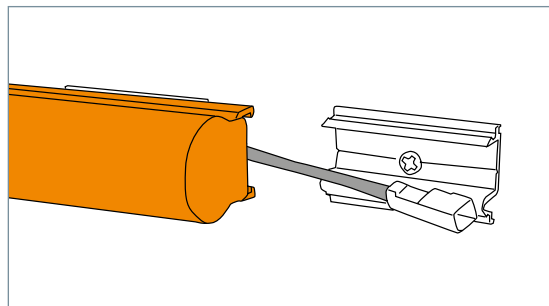
The installation (continued)



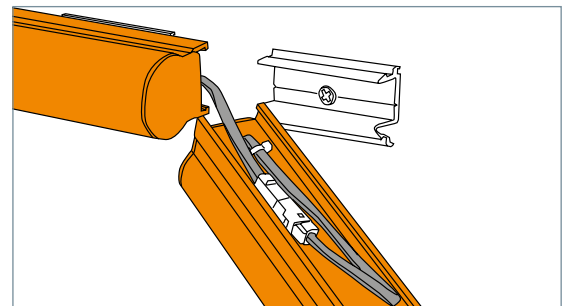
6. If the section is the end of the electrical circuit, a connector blanking plug (supplied with power supply) MUST be fitted to the unused connector. Failure to fit the blanking plug may allow water to penetrate the system, which will cause the CSC safety device to remove power.



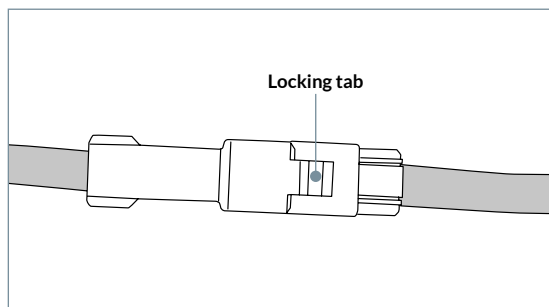
7. Hook the Hi-Lite™ 30 tube section into the top of the clip as shown, then rotate down until the bottom edge clips into place. Ensure the tube is properly located in the clip and that no wires are trapped. A 'click' should be heard when the tube is located correctly.



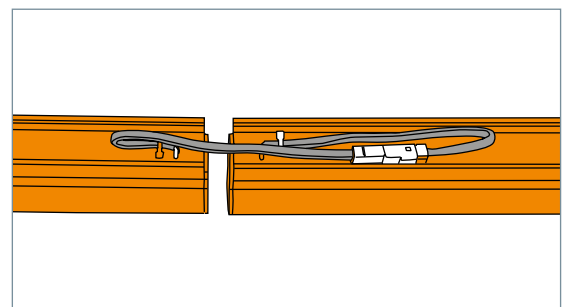
8. Hi-Lite™ 30 tube section clipped in place, with the cable positioned ready to connect to the next section.



9. Connect the next tube, looping the cable around in the rear channel. Once again leave a loop of cable to allow for thermal movement.

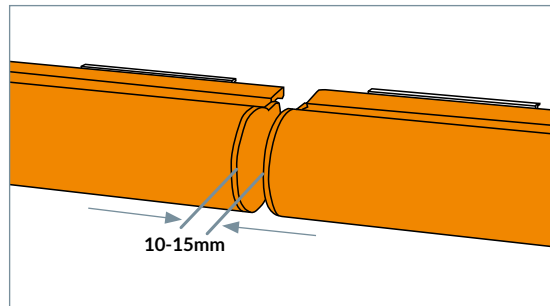


10. In order to maintain weather sealing connections must be properly made. When connected correctly the two halves will be locked together and will not pull apart without first releasing the locking tab.

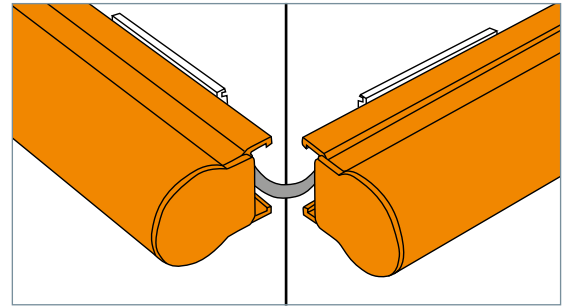


11. Viewed from the rear of the tube, the connection is hidden within the rear channel. When fixing the second section, check carefully that the cables are not trapped and sit freely between the tube and the clips.

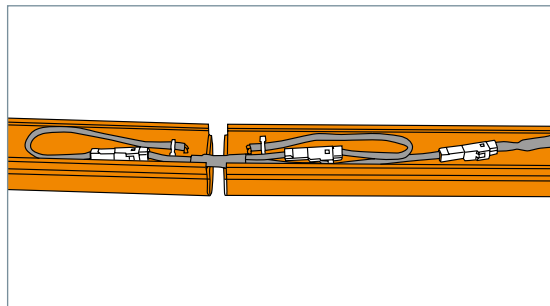
The installation (continued)



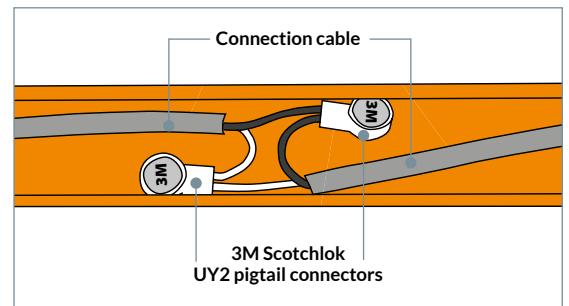
12. DO NOT butt sections up together. Doing so will cause the sections to bend in warm weather. Leave 10-15mm gap for thermal expansion. In very cold weather a larger gap may be required. If the Hi-Lite™ 30 sections are installed at a 2.4m pitch, the required expansion gaps will automatically be present.



13. Hi-Lite™ 30 tube sections can be run up to the edge of external corners. It is not recommended to overlap the sections.



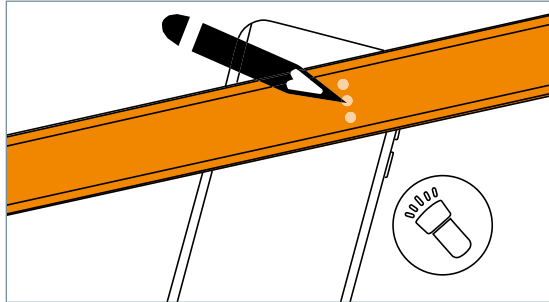
14. 'Y' splitter adapters can be used with Field Adjustable Sections to enable the electrical circuit to continue (around corners for example). The 'Y' adapter can be hidden behind the tube in the same way as a standard connection.



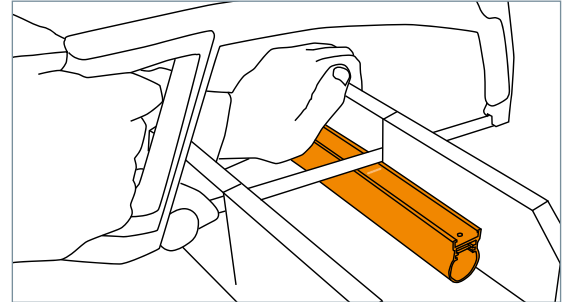
15. If a connection cable needs to be shortened, this can be done using two 3M Scotchlok gel-filled pigtail connectors, such as type UY2. The completed connection can be hidden in the tube channel as shown.

The installation – Field Adjustable Sections

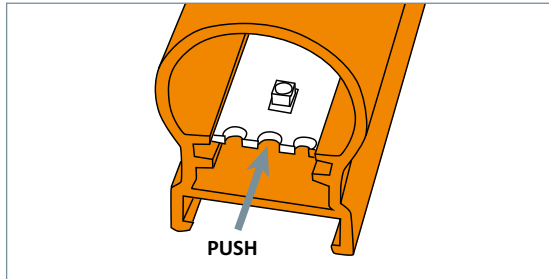
Only Field Adjustable Sections can be cut to size. Standard sections are **NOT** adjustable. Do not attempt to cut a Hi-Lite™ 30 Field Adjustable Section in wet weather. No warranty is provided on water damaged Field Adjustable Sections.



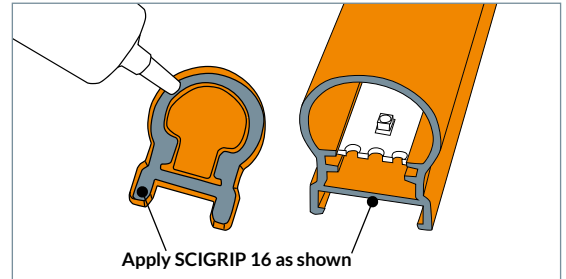
1. Field Adjustable Hi-Lite™ 30 tubes can be cut at specific locations approximately every 50mm. To locate a cut position shine a torch (or smart phone with torch function) from the face side. Cut positions will be seen as a row of three bright dots along the rear of the tube. Mark the required cut position.



2. Field Adjustable sections must be cut from the connector end only. The portion cut off without a connector is scrap and cannot be used. Cut through the Hi-Lite™ 30 section at your mark using a hacksaw fitted with a fine-toothed blade. Use a mitre box to ensure a clean, square cut.

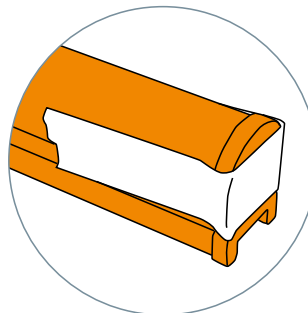


3. Remove any burrs and foreign material from the cut end. Ensure the cut is clean and square (sand if necessary). The end-cap will not form a weatherproof seal to an uneven face. Before fitting the field end-cap, push the cut circuit board into the tube as far as it will go.



4. Apply a generous, continuous bead of **SCIGRIP 16** to both the end-cap and the cut end of the Hi-Lite™ 30 section. Do not substitute any alternative adhesive or sealant. Use **SCIGRIP 16** in a well ventilated area, following the safety instructions on the tube.

5. Use strong tape to clamp the end-cap in position for at least 5 minutes before handling the tube further. Once the glue is dry, the adjusted tube section can be fitted.



The installation – Current Sense Circuit (CSC) operation

The Current Sense Circuit (CSC) is an integral part of the PSU. Its function is to continuously monitor the installation and remove the low-voltage supply should a fault be detected. Whilst it is primarily a safety feature, it can also assist in troubleshooting.

The CSC has a status LED which indicates the current state of the circuit. On the standard 240W supply there is an LED for each output channel. The CSC is a sophisticated electronic device which takes a number of complex measurements from the system in order to recognise fault conditions.

It is not necessary to understand the detailed functions of the operation algorithms in order to successfully install or troubleshoot a Hi-Lite™ installation, however a description of the CSC and its operation is set out below for information.

Operation

During normal operation the CSC continuously and automatically performs tests on the DC supply to the Hi-Lite™ installation. Should a fault be detected the DC output is switched off. Once this has occurred, a series of attempts to reinstate the DC supply are made at intervals increasing from 1 second to 1 hour.

Should any re-try be successful, the DC output is switched on and the CSC enters a back-off mode. Whilst in this back-off mode the re-try period that will be applied, should a further fault be detected, is slowly reduced back to 1 second.

Should the fault still be present after the full retry cycle (around 5 hours), the CSC enters an abort mode. Once in this mode, no further retries are made and the status LED flashes red.

When a fault is detected, the status LED pulses a number of times rates to indicate the type of fault. The table below lists these faults.

Pulse ratio	Fault indicated
2 pulses	Start-up impedance test failure
3 pulses	Current monitor failure
4 pulses	Run-time impedance test failure
5 pulses	Reserved
6 pulses	Run-time voltage test failure
7 pulses	Start-up voltage test failure
8 pulses	Over-current

Possible causes for each fault type are:

2 pulses: Start-up impedance test failure

The system has detected a low resistance across the output before it has applied power. This can be caused by a faulty or damaged tube section, badly made connections between sections or water inside the connectors.

3 pulses: Current monitoring failure

The system has detected fluctuations in current in the installation. This is usually caused by a faulty or damaged tube section or a badly made connection between sections.

4 pulses: Run-time impedance test failure

Similar to 2 pulses, but this test is carried out at 10 second intervals during normal operation.

6 pulses: Run-time voltage test failure

This test is carried out at 10 second intervals during normal operation and a failure indicates either a faulty or damaged tube section (usually with water ingress, or the connectors contain trapped water).

7 pulses: Start-up voltage test failure

Similar to 6 pulses, but this test is carried out at start-up, before power is applied.

8 pulses: Over-current failure

The load exceeds the maximum allowed. Reduce the load on the output channel.


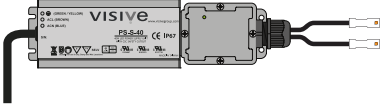

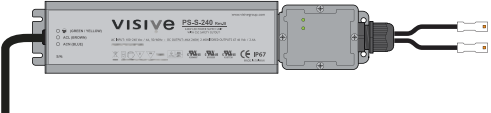
Should the mains input to the PSU be cycled once the CSC is in the abort mode, the CSC first attempts a power-up. If this is successful, normal operation resumes and the CSC enters its continuous monitoring mode once again.

The installation – PSU loadings

All IP-rated power supply units feature twin outputs. On 20W, 40W and 96W supplies, these outputs are internally connected in parallel so Hi-Lite™ 30 sections can be connected in any combination.

For example, all the sections can be connected to only one output, or they can be split in any combination across the outputs.

240W power supplies feature two independent outputs, each capable of delivering up to 120W. If any power supply outputs are not used, be sure to fit a blanking plug to the unused connector.

Power supply	Total output power	Hi-Lite™ 30 green (HL3-G3)	All other colour codes
	20W	11m total in any configuration across the two outputs	4m total in any configuration across the two outputs
	40W	22m total in any configuration across the two outputs	8m total in any configuration across the two outputs
	96W	45m total in any configuration across the two outputs	19m total in any configuration across the two outputs
	240W	45m max. on each output (90m total)	24m max. on each output (48m total)



Holiday Inn

London West

holidayinn.com



Holiday Inn





UK design and manufacturing facility

Visive Group Ltd
Ash Road South,
Wrexham Industrial Estate,
Wrexham,
LL13 9UG
UK

T: +44 (0)1978 660181

Email: info@visivegroup.com

China office

Visive Group (Guangzhou) Commercial Lighting Company Ltd
Rm. 1707, Tianyin Bldg.,
437 Zhongshan Avenue,
Tianhe Guangzhou,
China, 510660

T: +86 20 2383 6842

Contact: Andy Zheng – Director

Email: za@auxisolution.com

Ireland distributor

Trimwel Ltd
2A Canal Bank,
Hume Avenue,
Park West Industrial Estate,
Dublin 12,
Ireland

T: 00 353 (0) 12940188

Email: info@trimwel.ie

www.visivegroup.com